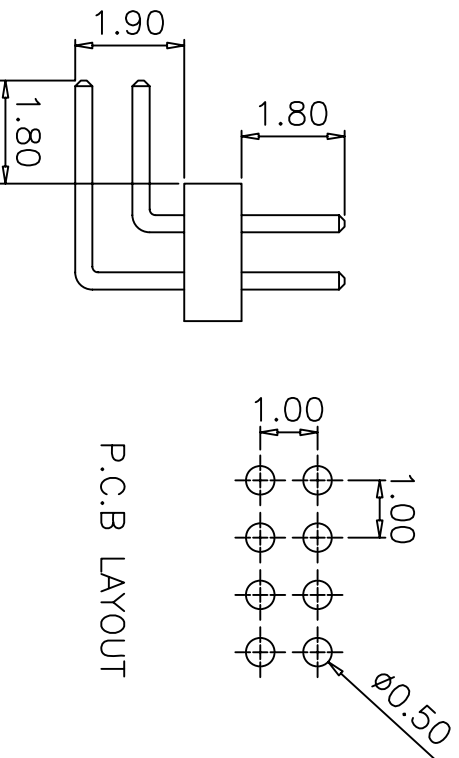


SPECIFICATIONS
 Current Rating: 0.75 Amps
 Insulator Resistance: 1000 Megohms Min.
 Withstanding Voltage: 300V AC/minute
 Temperature Range: -40~+105°
 Contact material: Brass
 Finish: Gold or Tin plated
 Insulator Material: Nylon6T, UL94V-0
 Soldering Temperature: +220°C, 10S max



P.C.B LAYOUT

OPERATION	~ 10	±0.15	DRAW	ROSE.W	2001.03.06	SCALE		SCONDAR 森康达电子有限公司 SCONDAR ELECTRONIC LIMITED	PH100H100-RT-2XXXP 1.0mm Pin Header Double Row Straight Dip Type
DESIGN	20 ~ 30	±0.30	CHECK	MICKY	2001.03.06	UNIT	mm		
ANGLE	30 ~	±0.50	APPROVE	HELLEN	2001.03.06	SIZE	A4		
DATE	05/12/27	NEW	CHANGE			SHEET	1/1	TITLE	
REV	0	MODIFICATION DESCRIPTION	APPROVE			PROJ.			