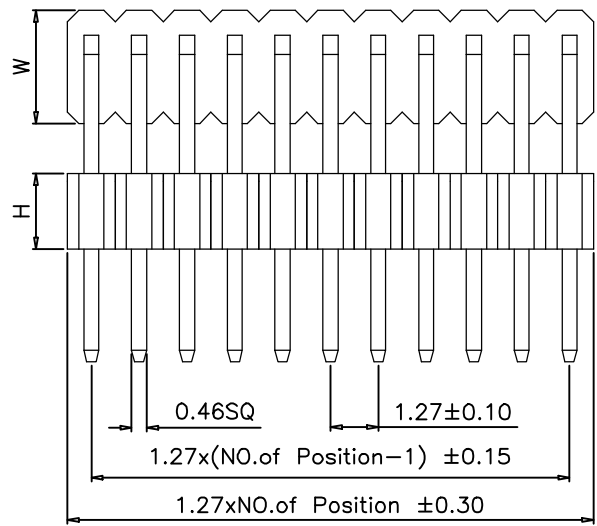


1 2 3 4 5 6 7 8 9 10

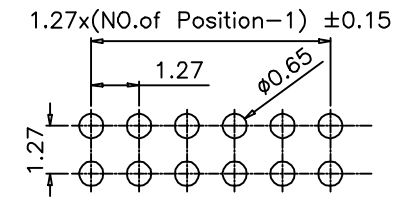
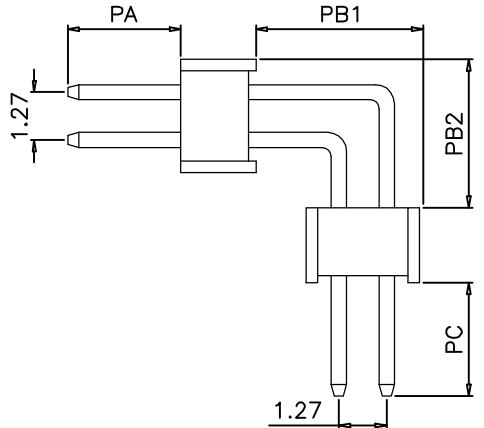
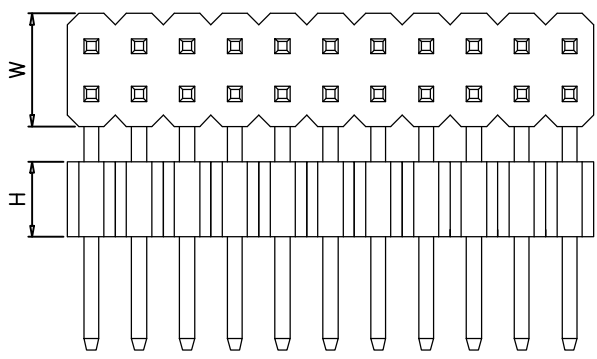
A
B
C
D
E
F
G
H



SPECIFICATIONS

Current Rating:1.0 Amps
 Insulator Resistance:1000 Megohms Min.
 Withstanding Voltage:300V AC/minute
 Temperature Range: -40~+105°
 Contact material:Brass
 Finish: Gold or Tin plated
 Insulator Material:Nylon6T,UL94V-0
 Soldering Temperature:+220°C,10S max

Dimension	
H	W
0.80	3.50
1.00	3.50
1.50	3.40
1.60	3.00
2.00	3.00
2.54	3.00



P.C.B LAYOUT

					OPERATION	DRAW	ROSE.W	2001.03.06	SCALE		森康达电子有限公司 SCONDAR ELECTRONIC LIMITED	
					~ 10 ±0.15	DESIGN			UNIT	mm		
					20 ~ 30 ±0.30	CHECK	MICKY	2001.03.06	SIZE	A4	PART NO.	PH127RDHxxWxx-RT-2xXXP
0	05/12/27		NEW		30 ~ ±0.50	APPROVE	HELLEN	2001.03.06	SHEET	1/1	TITLE:	2.54mm Pin Header Dual Row Right Angle Dip Type
REV	DATE		MODIFICATION DESCRIPTION	CHANGE	APPROVE				PROJ.	⊕		

1 2 3 4 5 6 7 8 9 10