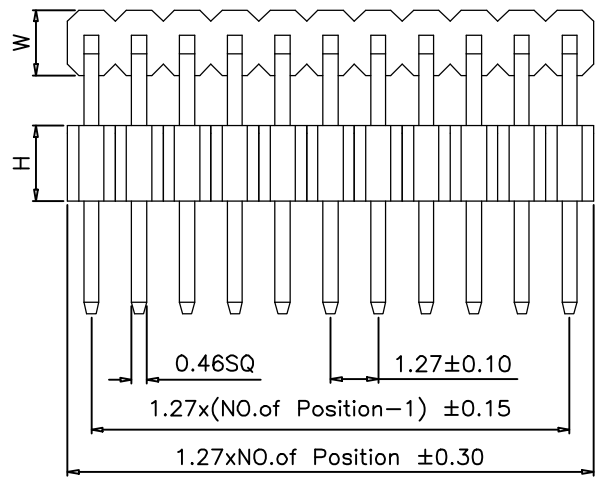


1 2 3 4 5 6 7 8 9 10

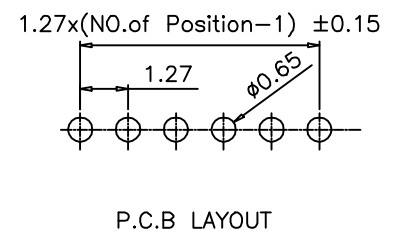
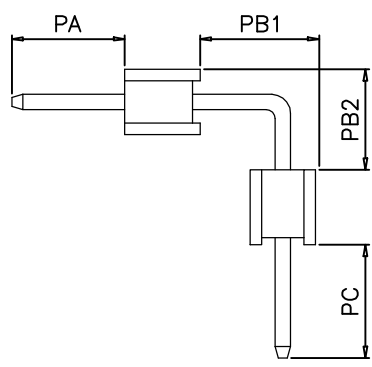
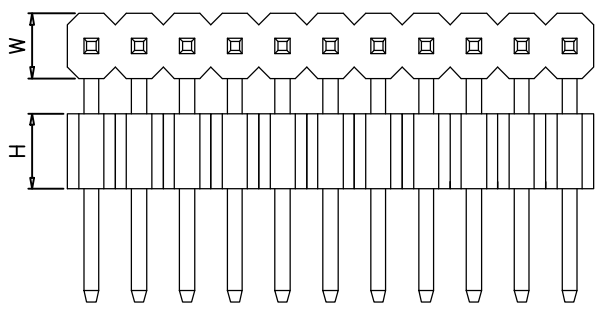
A  
B  
C  
D  
E  
F  
G  
H



**SPECIFICATIONS**

Current Rating:1.0 Amps  
 Insulator Resistance:1000 Megohms Min.  
 Withstanding Voltage:300V AC/minute  
 Temperature Range: -40~+105°  
 Contact material:Brass  
 Finish: Gold or Tin plated  
 Insulator Material:Nylon6T,UL94V-0  
 Soldering Temperature:+220°C,10S max

Dimension	
H	W
1.00	2.10
1.70	2.40
2.00	2.40
2.54	2.40



					OPERATION	DRAW	ROSE.W	2001.03.06	SCALE		森康达电子有限公司 SCONDAR ELECTRONIC LIMITED	
					~ 10 ±0.15	DESIGN			UNIT	mm		
					20 ~ 30 ±0.30	CHECK	MICKY	2001.03.06	SIZE	A4	PART NO.	PH127RDHxxWxx-RT-XXP
0	05/12/27	NEW			30 ~ ±0.50	APPROVE	HELLEN	2001.03.06	SHEET	1/1	TITLE:	1.27mm Pin Header Single Row Right Angle Dip Type
REV	DATE	MODIFICATION DESCRIPTION			CHANGE	APPROVE	HELLEN	2001.03.06	PROJ.	⊕ ←		

1 2 3 4 5 6 7 8 9 10