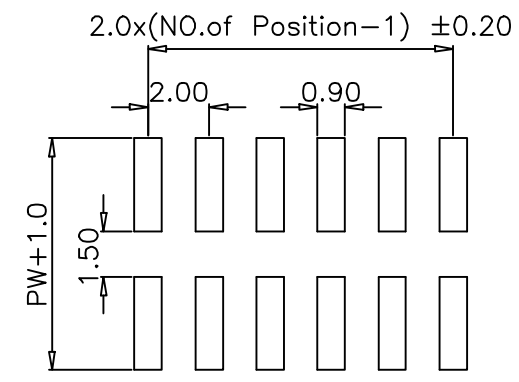
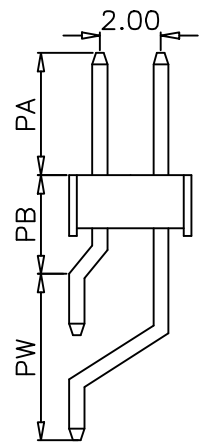
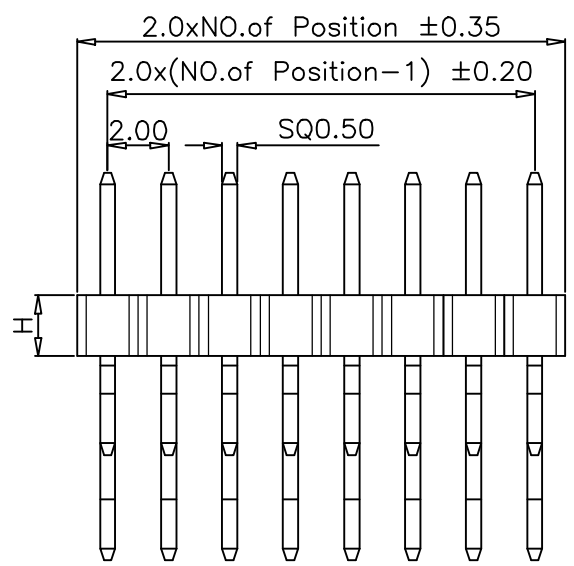


SPECIFICATIONS
 Current Rating: 1.5 Amps
 Insulator Resistance: 1000 Megohms Min.
 Withstanding Voltage: 450V AC/minute
 Temperature Range: -40~+105°
 Contact material: Brass
 Finish: Gold or Tin plated
 Insulator Material: PA6T
 Soldering Temperature: +260°C, 5S~8S max

Dimension	
H	W
1.00	4.00
1.50	4.00
2.00	4.00



P.C.B LAYOUT

						OPERATION	DRAW	ROSE.W	2001.03.06	SCALE		森康达电子有限公司 SCONDAR ELECTRONIC LIMITED			
						~ 10	±0.15	DESIGN		UNIT	mm				
						20 ~ 30	±0.30	CHECK	MICKY	2001.03.06	SIZE		A4	PART NO.	PH200HxxWxx-90C-SMT-2xXXP
0	05/12/27		NEW			30 ~	±0.50	APPROVE	HELLEN	2001.03.06	SHEET		1/1	TITLE:	2.0mm Pin Header Dual Row 90C SMT Type
REV	DATE		MODIFICATION DESCRIPTION	CHANGE	APPROVE	Angle DIM	± 2' TOL				PROJ.		⊕ ←		