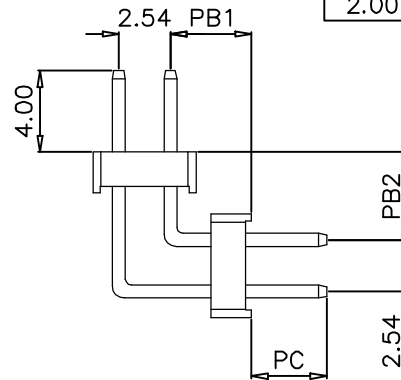
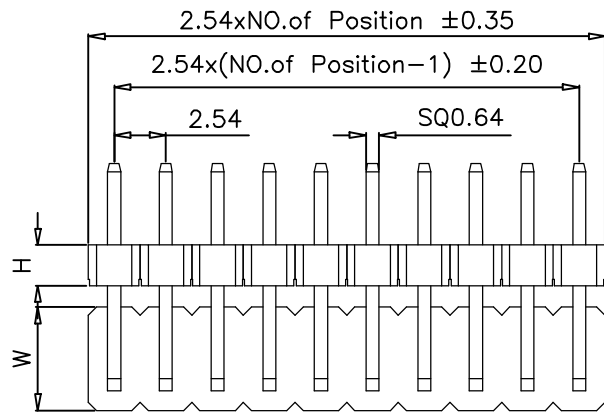
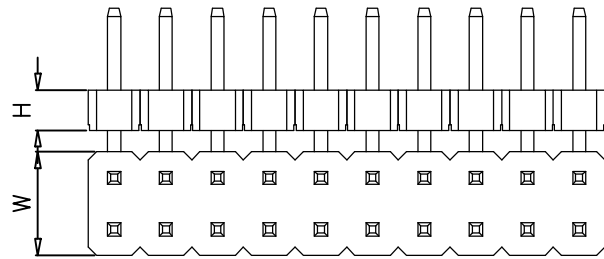
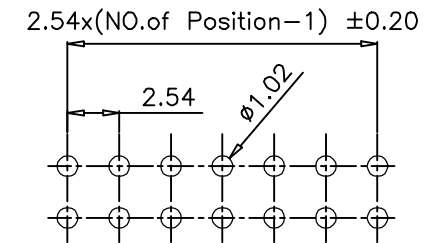


1 2 3 4 5 6 7 8 9 10

A  
B  
C  
D  
E  
F  
G  
H



Dimension	
H	W
1.50	5.00
1.70	5.00
2.00	5.00



P.C.B LAYOUT

SPECIFICATIONS

Current Rating:3 Amps  
 Insulator Resistance:1000 Megohms Min.  
 Withstanding Voltage:500V AC/minute  
 Temperature Range: -40~+105°  
 Contact material:Brass  
 Finish: Gold or Tin plated  
 Insulator Material:PBT  
 Soldering Temperature:+220°C,10S max

						OPERATION	DRAW	ROSE.W	2001.03.06	SCALE		SCONDAR 森康达电子有限公司 SCONDAR ELECTRONIC LIMITED	
						~ 10 ±0.15	DESIGN			UNIT	mm		
						20 ~ 30 ±0.30	CHECK	MICKY	2001.03.06	SIZE	A4	PART NO.	PH254RDHxxWxx-RT-2xXXP
0	05/12/27		NEW			30 ~ ±0.50	APPROVE	HELLEN	2001.03.06	SHEET	1/1	TITLE:	2.54mm Pin Header Dual Row Right Angle Dip Type
REV	DATE		MODIFICATION DESCRIPTION	CHANGE	APPROVE	Angle DIM TOL				PROJ.			

1 2 3 4 5 6 7 8 9 10